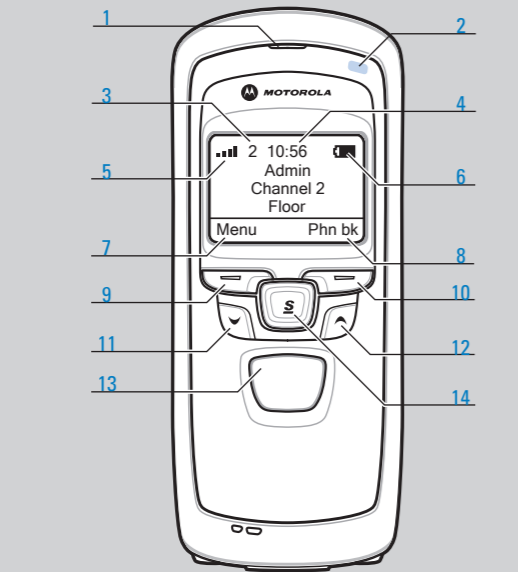
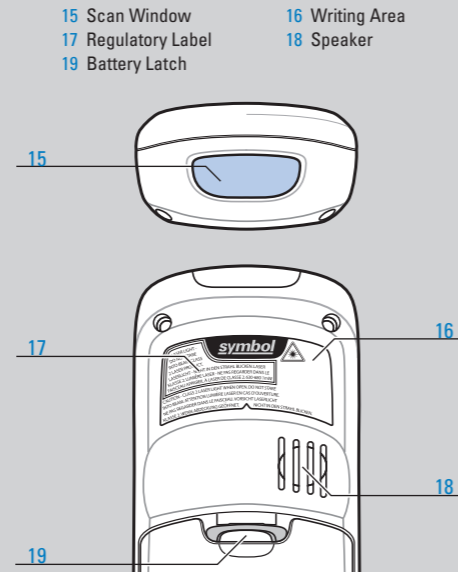




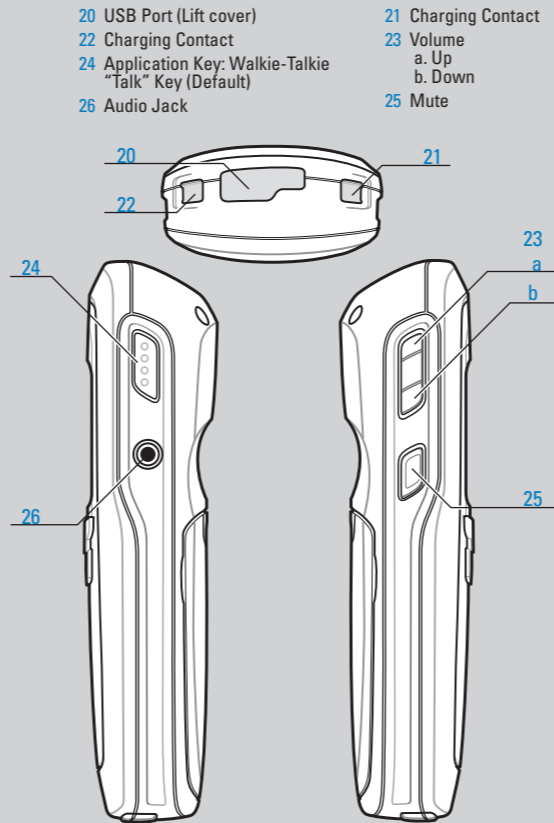
## FEATURES



- 1 Receiver
- 2 LED (Invisible when off)
- 3 Communication Channel
- 4 Screen Title / Time
- 5 Wireless Signal Strength
- 6 Battery Strength
- 7 Menu Option: Launched by Left Soft Key
- 8 Menu Option: Launched by Right Soft Key
- 9 Left Soft Key
- 10 Right Soft Key
- 11 Scroll Down Arrow Key
- 12 Scroll Up Arrow Key
- 13 Application Key: Walkie-Talkie "Talk" Key (Default)
- 14 Scan / Select Key



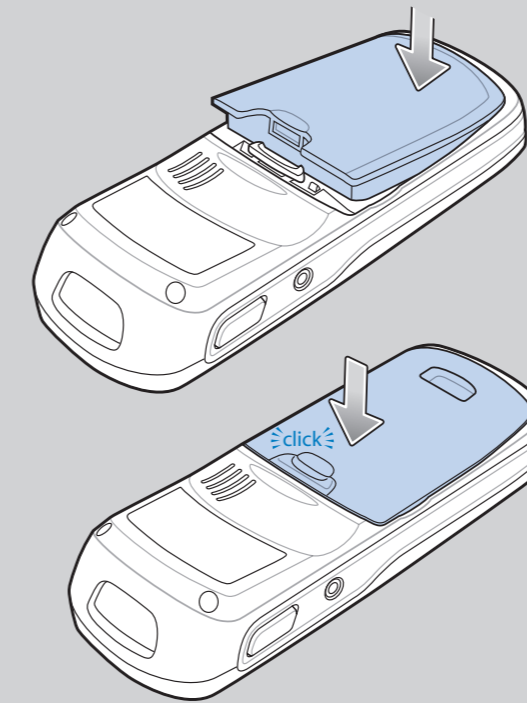
- 15 Scan Window
- 16 Writing Area
- 17 Regulatory Label
- 18 Speaker
- 19 Battery Latch



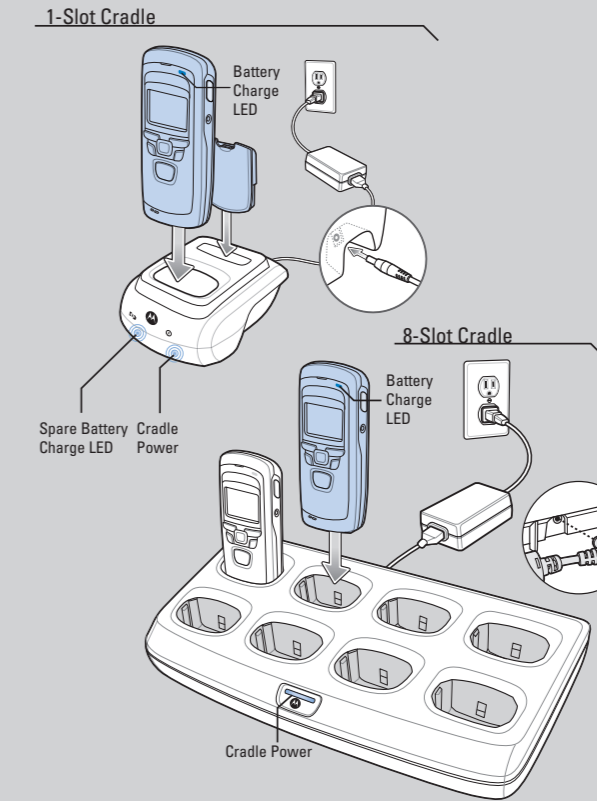
- 20 USB Port (Lift cover)
- 21 Charging Contact
- 22 Application Key: Walkie-Talkie "Talk" Key (Default)
- 23 Volume a. Up b. Down
- 24 Audio Jack
- 25 Mute
- 26 USB Port (Lift cover)

## GETTING STARTED

### 1 Insert the Battery



### 2 Charge the CA50



### 3 Staging / Version Control / Deploying

- Out-of-the-Box CA50 Staging**
    - Out-of-the-box, the CA50 requires MSP Stage to establish communication with the RF infrastructure and initial connectivity to the UCA Server.
  - Ongoing CA50 Software Version Control**
    - MSP Provision enables version control of the CA50 client / operating system.
  - Deploying a CA50 Application**
    - Web applications developed for the CA50 can be hosted and run from the UCA Server or from other servers in your enterprise.
- Note: Refer to the CA50 Developer Guide for detailed information about setting up and using the CA50 and UCA Server.

### 4 LED Notifications

- Solid Green** — Charge complete
- Solid Red** — Charge in progress
- Blinking Red** — Charge error
- Off** — No battery inserted (spare battery charger) / No AC power (CA50)

## SUPPORT INFORMATION

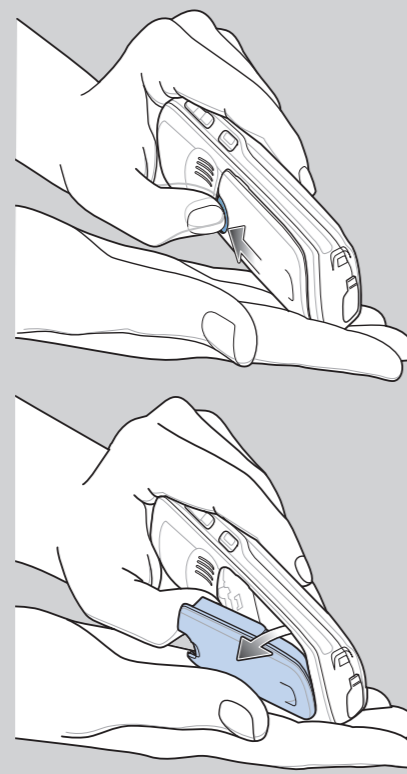
- More information about the CA50**  
Visit the Symbol Web site at <http://www.symbol.com/ca50>
- Setting up and using the CA50**  
CA50 Client/UCA Server Developer Guide (p/n 72E-93914-xx)  
Available at: <http://www.symbol.com/support>
- Related Documents**  
CA50 Regulatory Guide  
CHS5000-8000 / SAC5000-8000 / CHS5000-1000 Cradles Regulatory Guide
- Accessories**
  - Eight-slot battery charger with power supply and DC line cord
  - Eight-slot CA50 charger with power supply and DC line cord
  - Single-slot CA50 and spare battery charger with power supply and DC line cord
  - Earbud
  - Lanyard (with clip)
  - Server Software
  - Soft Pouch
  - Spare Battery Kit
  - USB ActiveSync Cable
  - Wall Mount Brackets
- Service**  
If you have a problem with your equipment, contact Motorola Enterprise Mobility Support for your region:  
<http://www.symbol.com/contactsupport>.
- Patents and Warranty**  
<http://www.symbol.com/patents>    <http://www.symbol.com/warranty>

**MOTOROLA**  
Motorola, Inc.  
One Motorola Plaza  
Holtsville, New York 11742, USA  
MOTOROLA and the Stylized M Logo and Symbol and the Symbol logo are registered in the U.S. Patent and Trademark Office.  
All other product or service names are the property of their registered owners.  
© Motorola, Inc. 2007

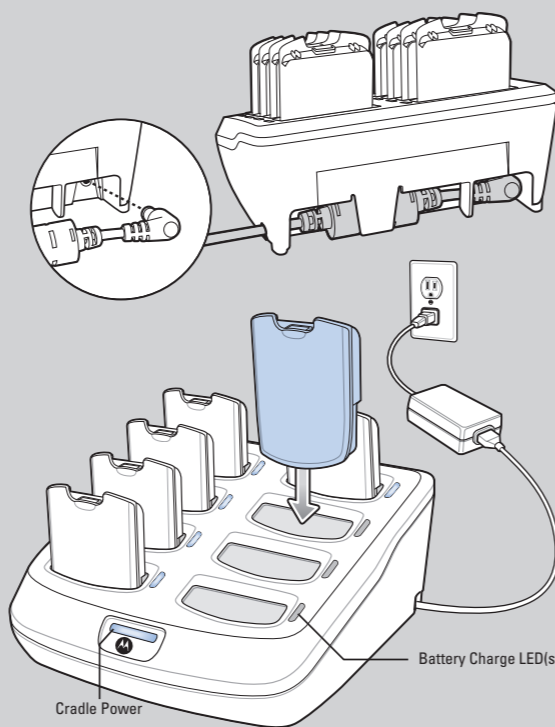


72-93916-01 Rev A - August 2007

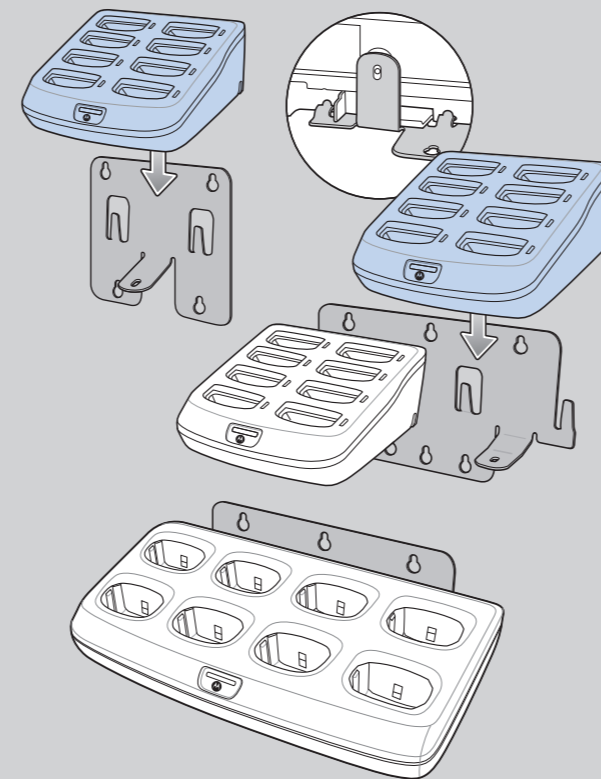
## REMOVING THE BATTERY



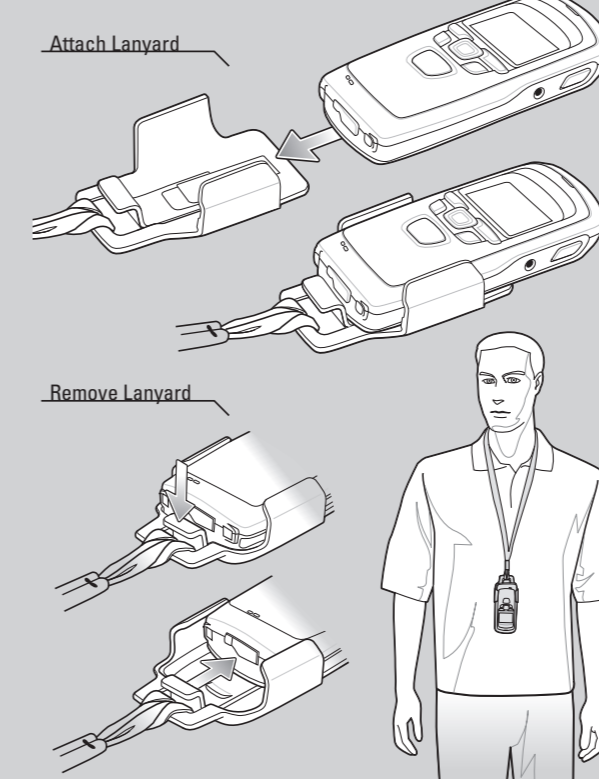
### Spare Battery Charger



### Wall Mounts

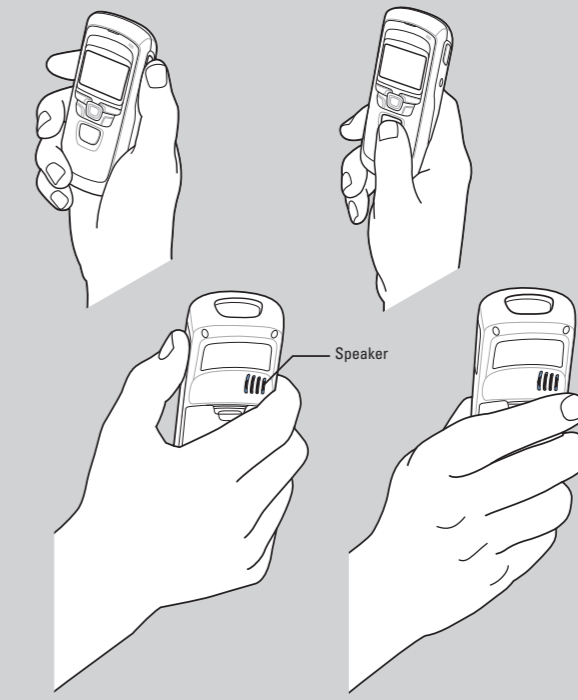


### Lanyard



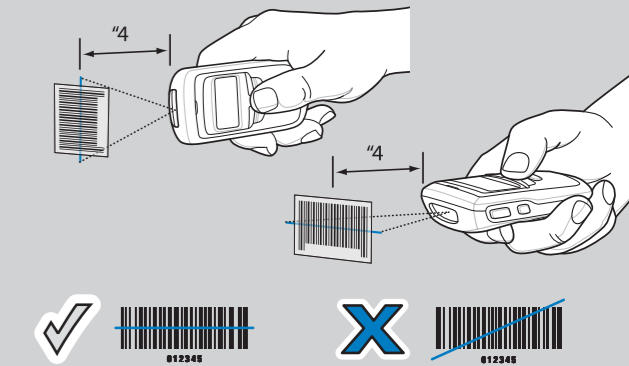
## WALKIE-TALKIE

Note: When using this feature, avoid covering the speaker. Wait until a beep sounds before speaking. This indicates the voice event on the other end completed. Press a Talk key to speak; release the Talk key to end the dialogue.



## SCANNING AND ERGONOMICS

### Scanning



### Avoid Extreme Wrist Angles

